

# MEGALIFT

HEAVY-LIFT-EQUIPMENT



# MEGALIFT

HEAVY-LIFT-EQUIPMENT







**GOOSENECK CHASSIS** Can transport a High Cube container below 4.0m



**STRAIGHT CHASSIS**



# MEGALIFT

HEAVY-LIFT-EQUIPMENT



LOADING TIME

00:00



LOADING TIME

00:45



LOADING TIME

02:00

4



### DIESEL ENGINE



### STANDARD FEATURES

- Lifting Capacity = 35 Tons
- 20', 40' or 45' containers
- Capable of lifting 2 x 20' Containers
- Ease of transfer from one trailer to another
- Offloading time 2 minutes
- Diesel Engine
- Load Handling Via Wireless Remote control
- 9 Ton BPW Axles, Drum Brakes & Air Suspension
- Lifting Arm is directly above stability leg

### OPTIONAL EXTRAS

- Self Tracker Rear Axle
- Gooseneck Trailer
- Trombone Trailer for 45' Container
- Weigh System

### LED WORK LIGHTS



### LANDING PADS



### WIRELESS REMOTE CONTROL





## 40FT LOAD TRANSFER

- TRANSFER A CONTAINER FROM ONE CHASSIS TO ANOTHER
- THE MEGALIFT DELIVERS MAXIMUM STABILITY ESPECIALLY WHEN FULLY LOADED



## 40FT LOAD TRANSFER





20FT LOAD TRANSFER



COMPACT DESIGN



CAN LIFT A CONTAINER FROM ONE TRUCK TO ANOTHER WITH NO NEED TO UN-COUPLE

7



## APPLICATIONS:

OPERATES UNDER LOW CANOPY



PORT LOADING



WORKS IN CONJUNCTION WITH ALL PORT EQUIPMENT

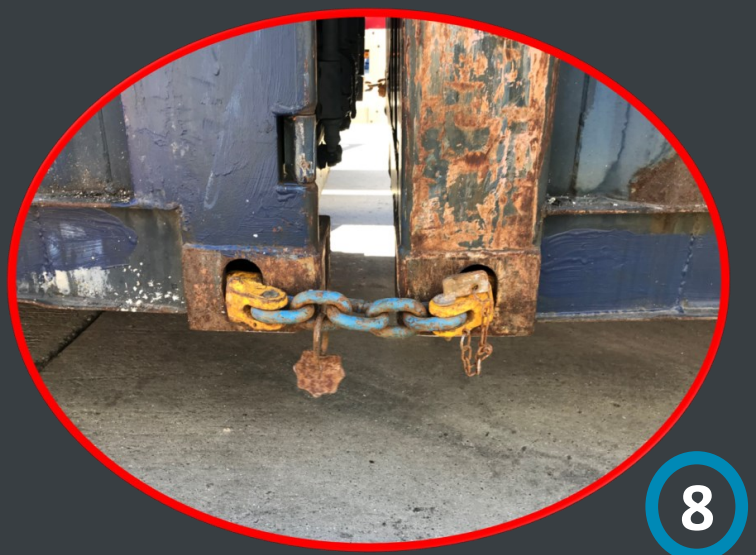
REMOTE AREA LOADING



BLOCK-STACK LOADING



2 X 20FT





## TRAIN TRANSFER

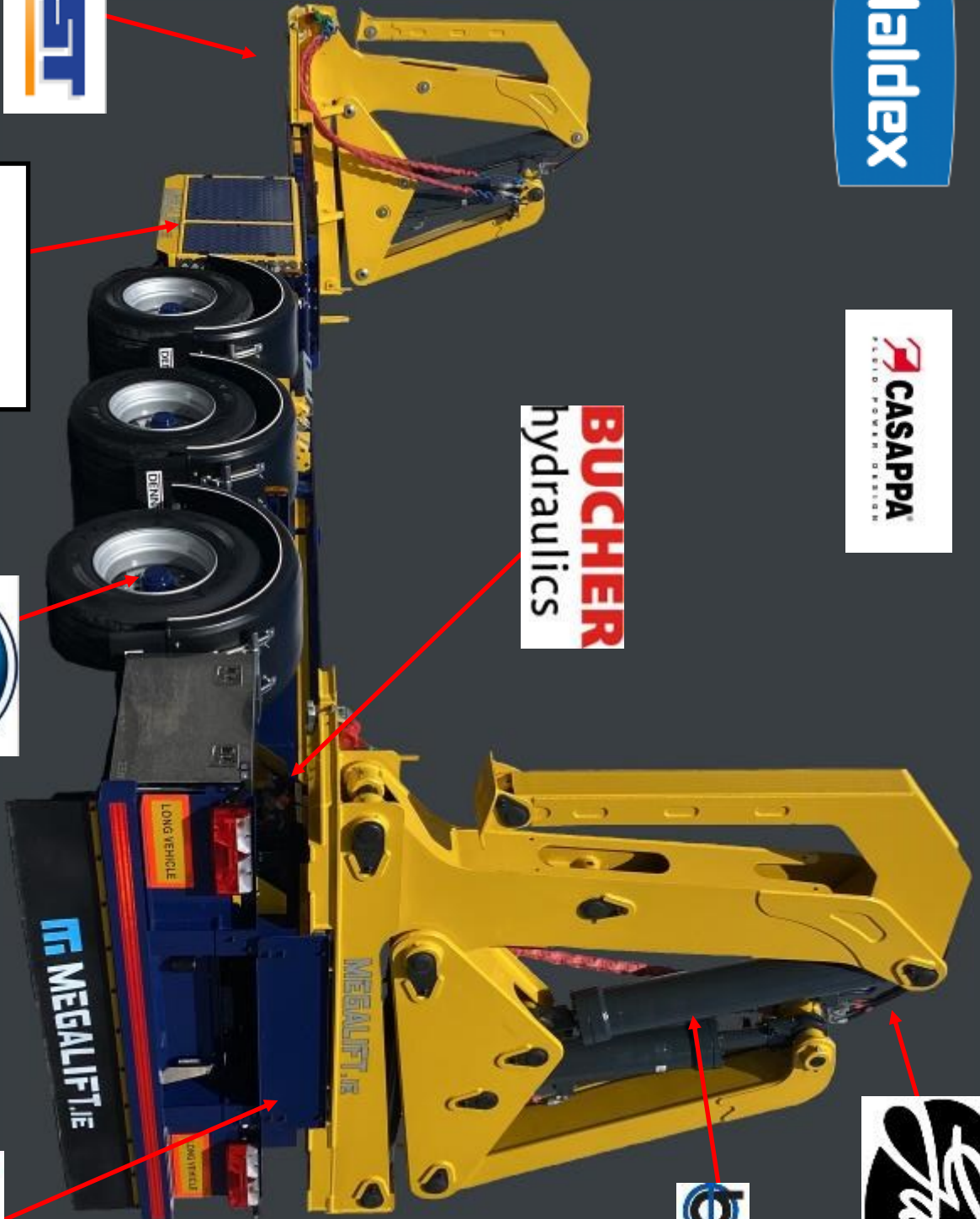


- TRAIN OFF-LOADING
- 2 MINUTE OFF-LOADING TIME
- 35 TONE LIFTING CAPACITY
- ONE MAN OPERATION



# MEGALIFT

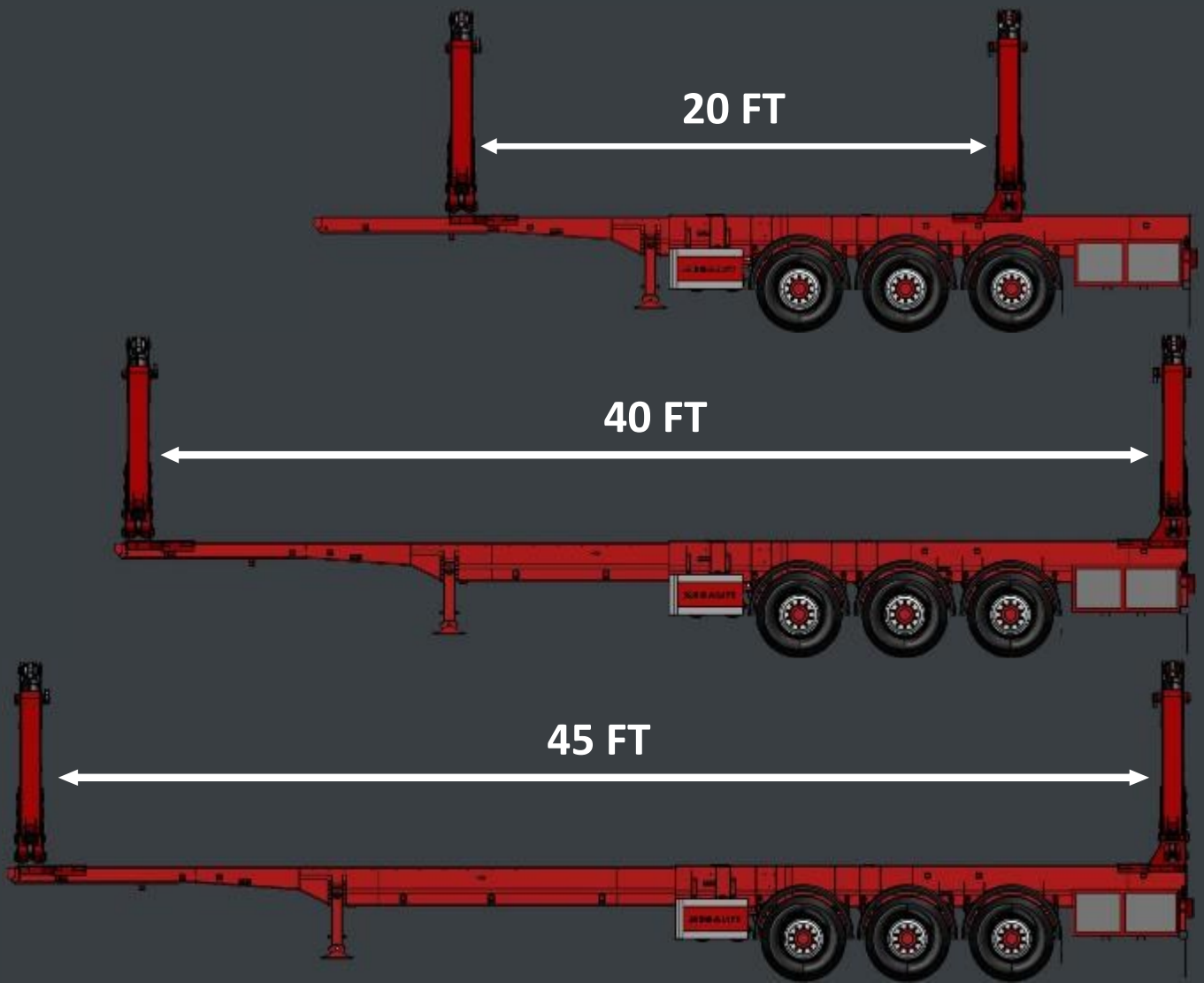
HEAVY-LIFT-EQUIPMENT





# MEGALIFT

HEAVY-LIFT-EQUIPMENT





# MEGALIFT

HEAVY - LIFT - EQUIPMENT



BALLINODE, MONAGHAN, IRELAND

T: +3534793305

E: [INFO@MEGALIFT.IE](mailto:INFO@MEGALIFT.IE)

W: [WWW.MEGALIFT.IE](http://WWW.MEGALIFT.IE)